

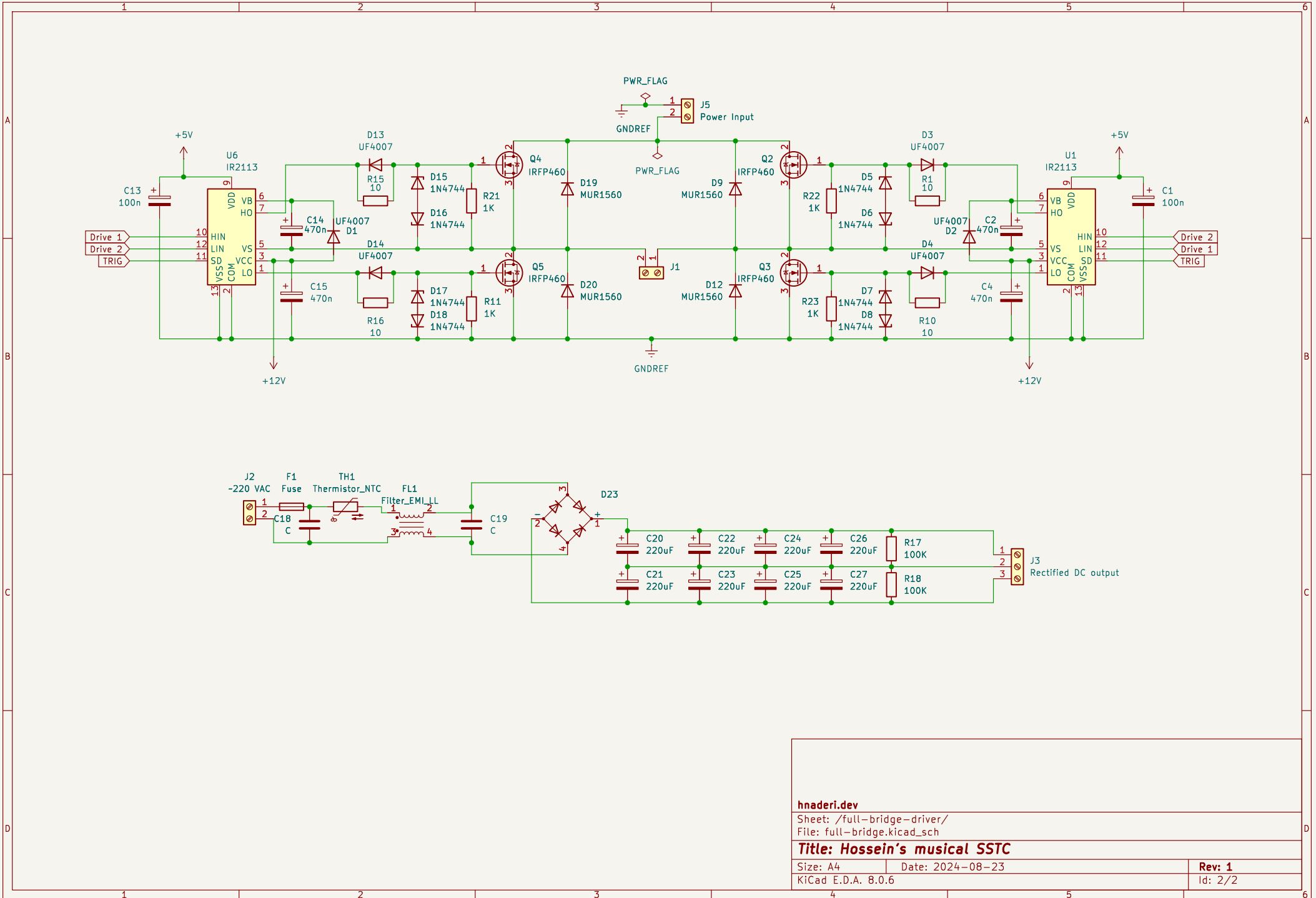
hnaderi.dev

Sheet: /
File: sstc.kicad_sch

Title: Hossein's musical SSTC

Size: A4 | Date: 2024-08-23
KiCad E.D.A. 8.0.6

Rev: 1
Id: 1/2



hnaderi.dev
 Sheet: /full-bridge-driver/
 File: full-bridge.kicad_sch
Title: Hossein's musical SSTC
 Size: A4 Date: 2024-08-23
 KiCad E.D.A. 8.0.6 **Rev: 1**
 Id: 2/2